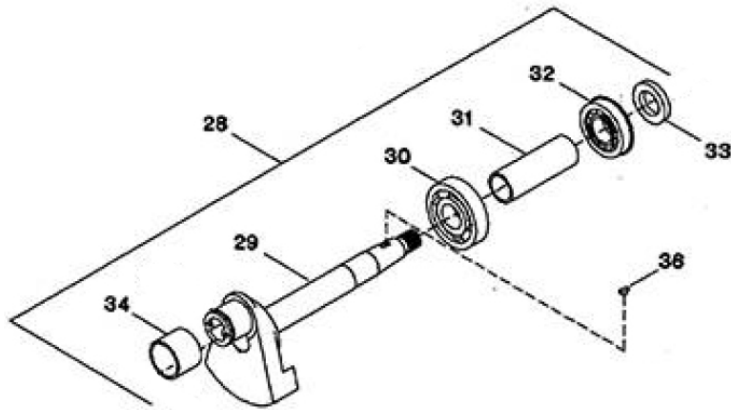


# 3222671\* - ASSEMBLY CRANKSHAFT WITH BUSHING



No.	Description	Ref Part No.	QTY
<b>1-28</b>	<b>Assembly, Crankshaft With Bushing</b>	<b>3222671*</b>	<b>-</b>
1-29	- Assembly, Disc & Shaft	NSS	1
1-30	- Bearing, Ball	95214342	1
1-31	- Spacer, Crankshaft/Bearing	37127933	1
1-32	- Bearing, Ball - W/Snap Ring	95213948	1
1-33	- Ring, Bearing Retainer	30217012	1
1-34	- Bushing, Crankpin	37002367	1
1-36	- Key, Woodruff	32226144	1

All manufacturer's names, numbers, photos, product description and/or part numbers are used for reference purposes only & it is not implied that any part listed is the product of these manufacturers. Since Approvement are made from time to time, the illustration and specifications are subject to change without notice.